

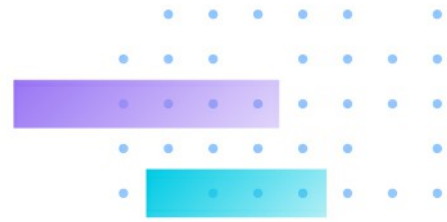
FE9392-HV-O

AI-Camera

12MP • Edge AI • Driven by OSSA • Azena OS • 360° Panomorph View • 15M IR • IP66 • IK10 • NEMA 4X

- 12-Megapixel CMOS Sensor
- 30 fps @ 2944x2944
- 360° 15M IR with Smart IR II
- WDR Pro (120dB) for Improved Visibility in High Contrast Scenes
- Driven by OSSA, Running on Azena OS (Based on Android Open Source Project)
- Powerful SoC with a Built-in AI Engine
- Supports a Variety of VCA Solutions through Azena Apps
- Local Dewarp





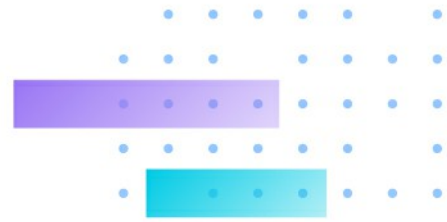
Overview

VIVOTEK's FE9392-HV-O employs the Qualcomm chip and is running on Azena OS, which is an operating system based on the Android Open Source Project. It can process video content analysis and calculation for AI-related applications on edge. The FE9392-HV-O is an AIoT intelligent network camera.

Since FE9392-HV-O is a Driven by OSSA device, users can download and install Apps on the FE9392-HV-O via the Azena App Store. Azena empowers the FE9392-HV-O with various intelligent video content analysis applications such as facial recognition, crowd gathering detection, and fall detection. Users can install and operate multiple Apps at the same time for more versatile, intelligent, and effective applications.

The FE9392-HV-O is equipped with a Quad-Core SoC based on the Qualcomm Vision Intelligence Platform, AI technology, and the neural processing engine of the Adreno 615 GPU, and Hexagon DSP. It supports hardware acceleration for deep learning, powerful visual computing and edge computing performance for optimizing AI image processing.

FE9392-HV-O is an outdoor fisheye network camera, featuring a detailed 12-Megapixel sensor for superb image quality with 360 degree surround view. It has WDR Pro to maintain optimal image quality in high contrast lighting environments as well as H.265 and H.264 compression. Equipped with IR illuminators and VIVOTEK's Smart IR II technology, the FE9392-HV-O can see up to 15m radius in total darkness. The housing is IP66-rated for protection from rain and dust, as well as IK10-rated for robust protection against acts of vandalism. With added NEMA 4X protection, even more extreme offshore applications will not be an issue.



Technical Specifications

System Information

Model	FE9392-HV-O
CPU	Multimedia SoC (System-on-Chip)
Flash	64 GB
RAM	4 GB

Camera Features

Image Sensor	1/2.3" Progressive CMOS
Max. Resolution	2816x2816
Lens Type	Fixed-focal
Focal Length	f = 2.18 mm
Aperture	F2.18
Iris Type	Fixed Iris
Field of View	180° (Horizontal) 180° (Vertical) 180° (Diagonal)
Shutter Time	1/5 sec. to 1/32,000 sec.
WDR Technology	WDR Pro
Day/Night	Yes
Removable IR-cut Filter	Yes
IR Illuminators	Built-in IR illuminators up to 15 meters
Minimum Illumination	1.33 lux @ F2.18 (Color) 0.01 lux @ F2.18 (B/W) 0 lux with IR illumination on

Video

Video Compression	H.265, H.264
Maximum Frame Rate	15fps @ 2816x2816
Maximum Streams	5 simultaneous streams
S/N Ratio	56.9 dB
Dynamic Range	120 dB
Video Streaming	Adjustable resolution, quality and bitrate
Image Settings	Day/Night Mode, WDR, 3DNR, Power Line Frequency, Exposure setting (Time, Gain, Strategy, Metering Mode, Flickerless, EV), Image Adjustment (Auto/Manual Mode, Brightness, Contrast, Saturation, Sharpness, Gamma Curve), White Balance (Auto/Manual/Fixed Current Mode, R gain, B gain)
Display Mode	Mount types: Ceiling/ Wall/ Floor ROI settings: 1O Fisheye, 4R Four Regions

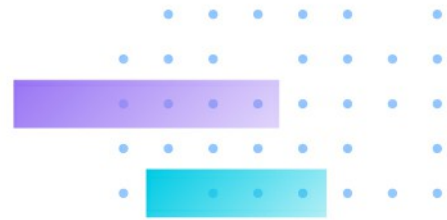
Network

Users	Live viewing for up to 10 clients
Security	HTTPS, Password Protection, Secure Boot, Signed Firmware, User Account Management, Selinux
Protocols	DHCP, DNS, HTTP, HTTPS, IPv4, IPv6, RTSP/RTP/RTCP, NTP, TCP/IP
Interface	10 Base-T/100 Base-TX Ethernet (RJ-45) *It is highly recommended to use standard CAT5e & CAT6 cables which are compliant with the 3P/ETL standard.
ONVIF	Support ONVIF device discovery, video streaming and metadata

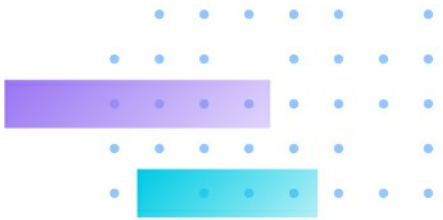
Solution Integration

VCA	Supported by Azena Apps
Embedded App	INSIGHT Event Adaptor
Event Protocol	MQTT, REST, HTTP GET/POST, ONVIF Event/Metadata

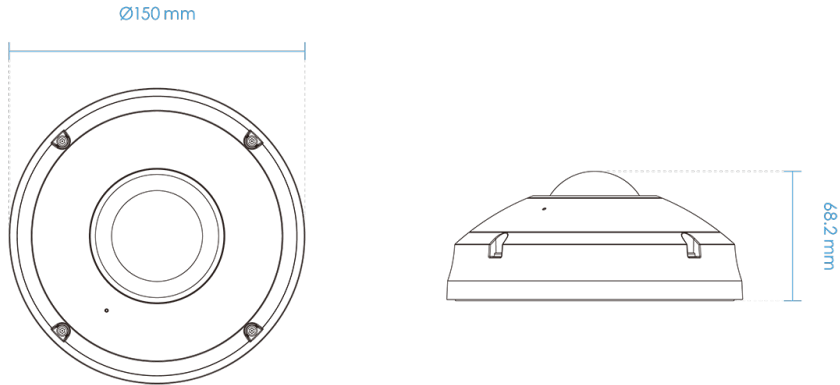
General



Connectors	RJ-45 cable connector for 10/100 Mbps PoE network connection DC 12V power input* Digital input* Digital output* * Requires optional cable
LED Indicator	System power and status indicator
Power Input	IEEE 802.3af PoE
Power Consumption	Max. 21 W
Dimensions	ø 150 x 68.2 mm
Weight	840 g
Certifications	CE, FCC Class A, CB, VCCI, UL, IK10, IP66, NEMA4X, UKCA
Operating Temperature	Starting Temperature: -25°C ~ 50°C (-13°F ~ 122°F) Working Temperature: -25°C ~ 45°C (-13°F ~ 113°F) (IR off) -25°C ~ 40°C (-13°F ~ 104°F) (IR on)
Humidity	90% RH (non-condensing)
Warranty	36 months
System Requirements	
Web Browser	Windows: Mozilla Firefox, Chrome, Microsoft Edge Mac OS: Safari Linux: Chrome Internet Explorer 10/11
Other Players	VLC: 1.1.11 or above
Included Accessories	
Packing Contents	Quick installation guide, alignment sticker, desiccant bag, screw driver, screw pack



Dimensions



Compatible Accessories

Mounting Kit



AM-525
Mounting Adapter